

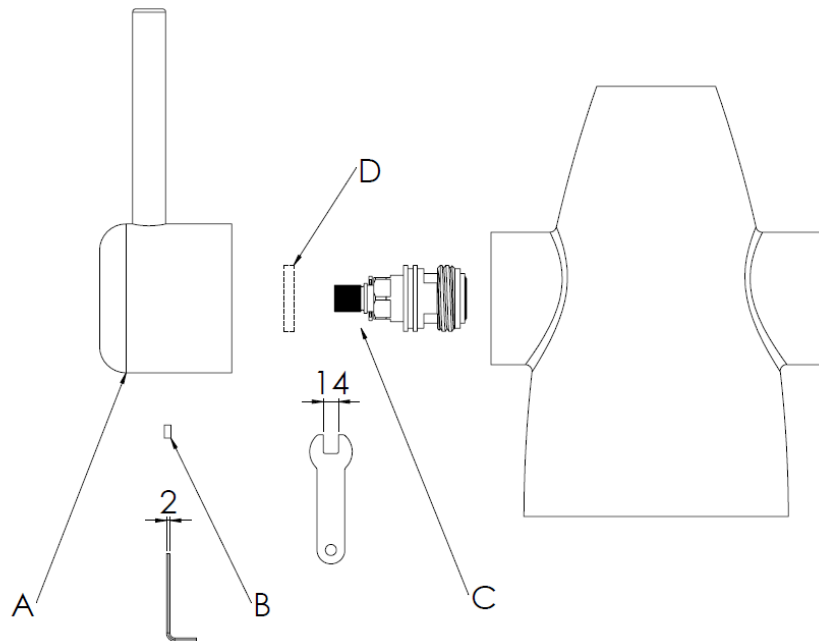
COMPATIBLE VALVE/CARTRIDGE CHANGE GUIDE

For use with the following **Abode**: Atik, Edge, Harrington, Orbit, Pico Nickel **Carron Phoenix**: Flora **Franke**: Ascona **Sion Rangemaster**: Quadrant Contemporary kitchen tap(s)

IMPORTANT! BEFORE YOU BEGIN

Replacing the valve/cartridge of the above taps is a straightforward procedure for any competent handyperson. However, should you have any doubts about your ability to tackle the task, we suggest you engage a suitably qualified professional.

You can also gain hints and tips about replacing a valve by watching our installation movies at TapSparesUK.com.



ESSENTIAL TOOLS

14 mm ring spanner or suitable adjustable spanner, 2mm Allen key.

VALVE/CARTRIDGE CHANGE PROCEDURE

1. Turn off the water supply to the tap.
2. Using the 2 mm Allen key, remove the grub screw (B) from the handle assembly.
3. Next, pull the handle (A) from the body of the tap.
4. If there is a spacer (D) located between the handle and the valve then please remove this and ensure it is used when the new valve and handle are reassembled.
5. Unscrew the old valve (C) using a 14 mm or adjustable spanner. Bear in mind that it might take some initial force to free the valve if it has been in place some time.
6. Select the correct valve. The valves are identifiable by the notches on the hexagon drive. If it has notches then it is the hot valve.
7. Screw the correct valve into the correct position and tighten firmly.
8. Check the spindle of each valve is in the closed position and then align the handle as close to vertical as you can manage. If the handle is not exactly vertical, slide off the handle and re-position it by rotating it one or two notches then refit the handle. Repeat this procedure until you are satisfied with the handle alignment.
9. Next, refit the handle and tighten it carefully to secure it in position. Do not over-tighten.
10. Turn the water supply back on and check for leaks.