

## COMPATIBLE VALVE/CARTRIDGE CHANGE GUIDE

For use with the following Perrin & Rowe kitchen tap: **Etruscan | Phoenician**

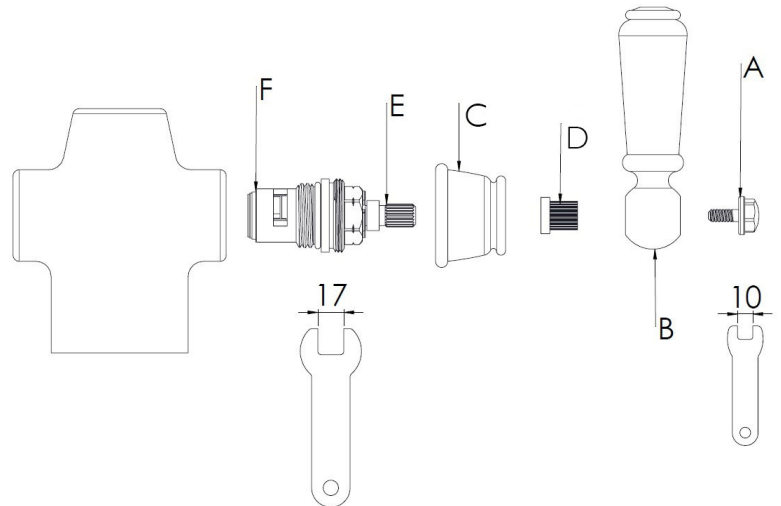
### **IMPORTANT! BEFORE YOU BEGIN**

Replacing the valve/cartridge of a Perrin & Rowe tap is a straightforward procedure for any competent handyperson. However, should you have any doubts about your ability to tackle the task, we suggest you engage a suitably qualified professional.

You can also gain hints and tips about replacing a valve by watching our installation movies at [www.tapsparesuk.com](http://www.tapsparesuk.com).

### **ESSENTIAL TOOLS**

- 10mm and a 17mm ring spanner or suitable adjustable spanner



### VALVE/ CARTRIDGE CHANGE PROCEDURE

1. Turn off the water supply to the tap
2. Carefully unscrew and remove the hexagon screw (A) that secures the handle, using a 10mm or adjustable spanner.
3. Pull off the complete lever assembly.
4. Unscrew and remove the shroud (C). A rubber glove will help grip if the shroud is tight.
5. Remove the plastic vernier (D). It will either remain on the end of the old valve or stay inside the handle (new verniers are supplied with your new valves).
6. Unscrew the old valve (E) using a 17mm or adjustable spanner. Bear in mind that it might take some initial force to free the valve if it has been in sometime.
7. The valves are identifiable by the colour of the silicon insert (F). You should have a red one and a blue one.
8. Screw the correct valve into the correct position and tighten firmly.
9. Check the spindle of each valve is in the closed position and position the vernier on the splined end of the valve spindle. Align the handle as close to vertical as you can manage. If the handle is not exactly vertical, slide off the handle, re-move the vernier and re-position by rotating it 1 or 2 notches. Then refit the handle. Repeat this procedure until you are satisfied with the handle alignment.
10. Turn on the water supply back on and check for leaks.

**TapSparesUK**  
Old Winery Business Park,  
Chapel Street  
Cawston  
Norfolk  
NR10 4FE

Telephone 01603 559096  
[www.tapsparesuk.com](http://www.tapsparesuk.com)